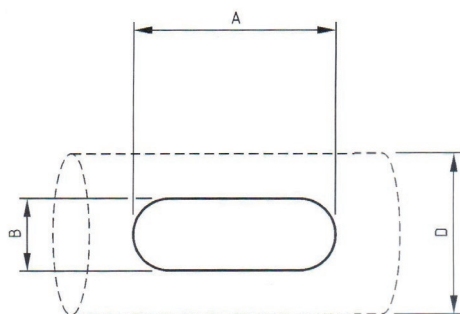


$\varnothing d$ nom [mm]	A [mm]	B [mm]	weight [kg]	diameters range
80	180	80	0,3	76 -85
100	180	80	0,3	96-105
125	180	80	0,3	121-130
150	250	150	0,4	130-155
160	250	150	0,4	156-190
200	250	150	0,4	191-240
250	250	150	0,4	241-300
315	250	150	0,4	301-360
355	300	200	0,4	341-380
400	300	200	1,0	381-420
450	300	200	1,0	421-470
500	300	200	1,0	471-530
560	400	300	2,0	531-600
600	400	300	2,0	570-640
630	400	300	2,0	601-670
710	400	300	2,0	671-750
800	400	300	2,0	751-850

* A and B - dimensions of the hole to be cut in the duct

Minimal opening dimensions regarding duct size according to PN-EN 12907:

Oval or rectangular opening	
Nominal duct diameter (mm) D	Minimum dimensions for openings in ducts' sides (mm) AxB
$100 \leq D < 200$	180x80
$200 \leq D < 315$	200x100
$315 \leq D < 500$	300x200
$500 < D$	500x300



CR EPDM cellular sponge gasket is resistant to weathering and UV radiation – therefore suitable for outdoor usage. During outdoor installation rain water accumulation areas should be avoided. Temperature range: -30°C to +120°C.

IPR access doors with gasket guarantee highest air tightness class for ventilation systems, provided fittings with gaskets are used.

